

For current pricing, please see our website.

CHAPTERS

Tables/  
Breadboards

Mechanics

Optomechanic  
Devices

Kits

Lab Supplies

SECTIONS

Mini Series

Ø1/2" Post  
Assemblies

Ø1" Post  
Assemblies

Ø1.5" Post  
Assemblies

Mounting/Angle  
Brackets

Lab Platforms

Instrument Shelves

Lens Tubes

Cage Systems

Optical Rails

Mirror Mounts

Kinematic Mounts

Fixed Mounts

Translation Mounts

Rotation Mounts

Filter Mounts

V-Mounts

Iris/Apertures

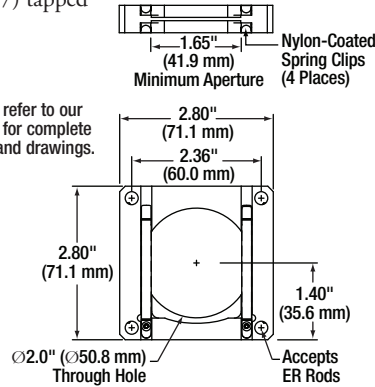
Adapters

## Cage Mount for 2" (50.8 mm) Square Filters



LCP05

This 60 mm Cage Plate has a Ø2" through hole designed to hold 2" (50.8 mm) square filters up to 4 mm thick. The mount is equipped with two spring clips on either side to secure a single filter or one on each side while maintaining a clear aperture. Additional features include four through holes for cage rods as well as side-located locking setscrews to hold the rods in position. For added convenience, the mount is post-mountable via the 8-32 (M4 x 0.7) tapped hole on the bottom surface.



Please refer to our website for complete models and drawings.

**LCP05**  
Diffused LED  
Condenser  
(Components Sold Separately)

- Holds 2" x 2" (50.8 mm x 50.8 mm) Square Filters up to 4 mm Thick
- Spring-Loaded Clips Hold Optic in Place and Enable Quick Removal
- Mounts up to Two Filters at Once
- 60 mm Cage-Compatible Plate with Ø2" Through Hole
- Post Mountable via 8-32 (M4 x 0.7) Tap



ITEM #	\$	£	€	RMB	DESCRIPTION
LCP05	\$ 78.50	£ 56.52	€ 68,30	¥ 625.65	60 mm Cage Mount for 2" Square Filters up to 4 mm Thick
LCP05/M	\$ 78.50	£ 56.52	€ 68,30	¥ 625.65	60 mm Cage Mount for 50 mm Square Filters up to 4 mm Thick

## 60 mm Cage Filter Wheel for Ø2" Filters



LCFW5

- Holds up to Five Ø2" Filters
- Accommodates Filters up to 0.24" (6.1 mm) Thick
- SM2-Threaded Ports on Front and Back
- Includes Five SM2RR Retaining Rings

**Mechanical**  
Drawings Available on the  
**WEB**

The LCFW5 is designed for our 60 mm Cage System and has five SM2-threaded (2.035"-40) filter holders for Ø2" (Ø50.8 mm) optics. The spring-loaded wheel features detents to click into place, centering the filter in the cage. Cage rods are secured using setscrews. This mount allows the bottom cage rods to pass through the mount, but the top cage rods cannot pass due to the filter wheel obstructing the path. The LCFW5 offers a 1/4"-20 and an M6 x 1.0 tapped hole as well as two 8-32 and two M4 x 0.7 tapped holes for post mounting.

ITEM #	\$	£	€	RMB	DESCRIPTION
LCFW5*	\$ 173.40	£ 124.85	€ 150,86	¥ 1,382.00	60 mm Cage Mount Filter Wheel for Ø2" Filters

\*Five SM2RR Retaining Rings Included.

Cage Products Available in 16, 30, & 60 mm Versions

## Have you seen our... T-Cube Laboratory Automation Tools



The T-Cube product line provides a compact system of over a dozen instruments that facilitate lab automation. The T-Cubes address the space and cable management problems that come with system automation. All T-Cubes have a manual interface and preprogrammed default settings that allow for immediate, basic

control of any compatible device upon connecting it to the controller. In addition, each controller has a USB interface through which the T-Cube can be operated remotely via a computer.

For more details see page 616



T-Cube Controller Hub